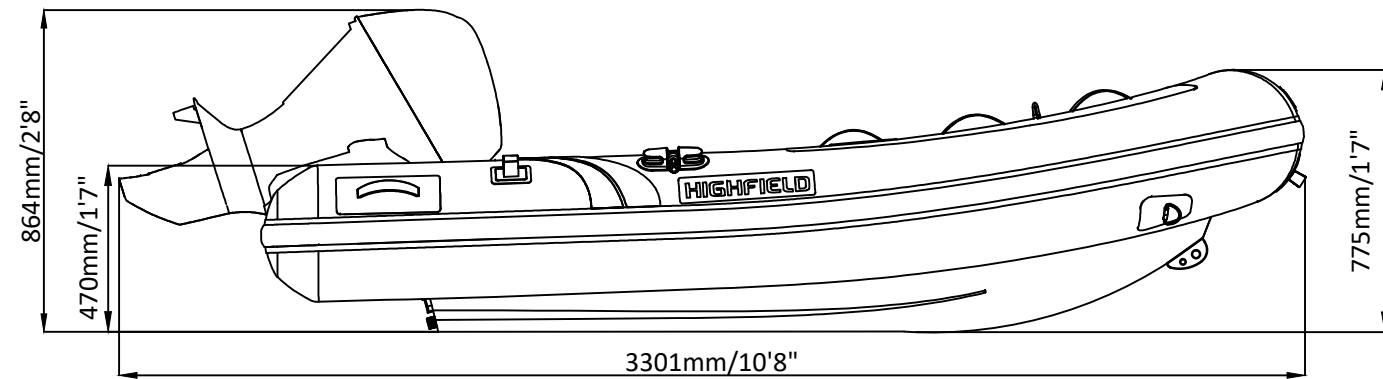
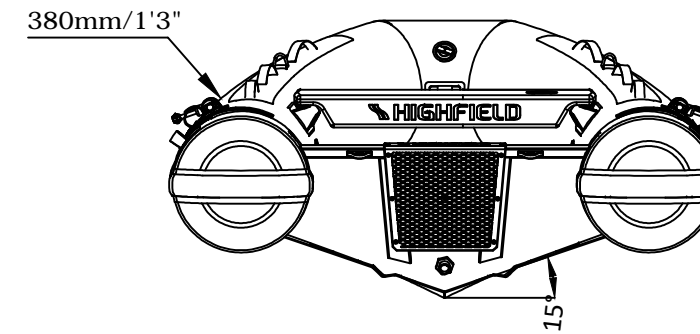


ULTRALITE 290

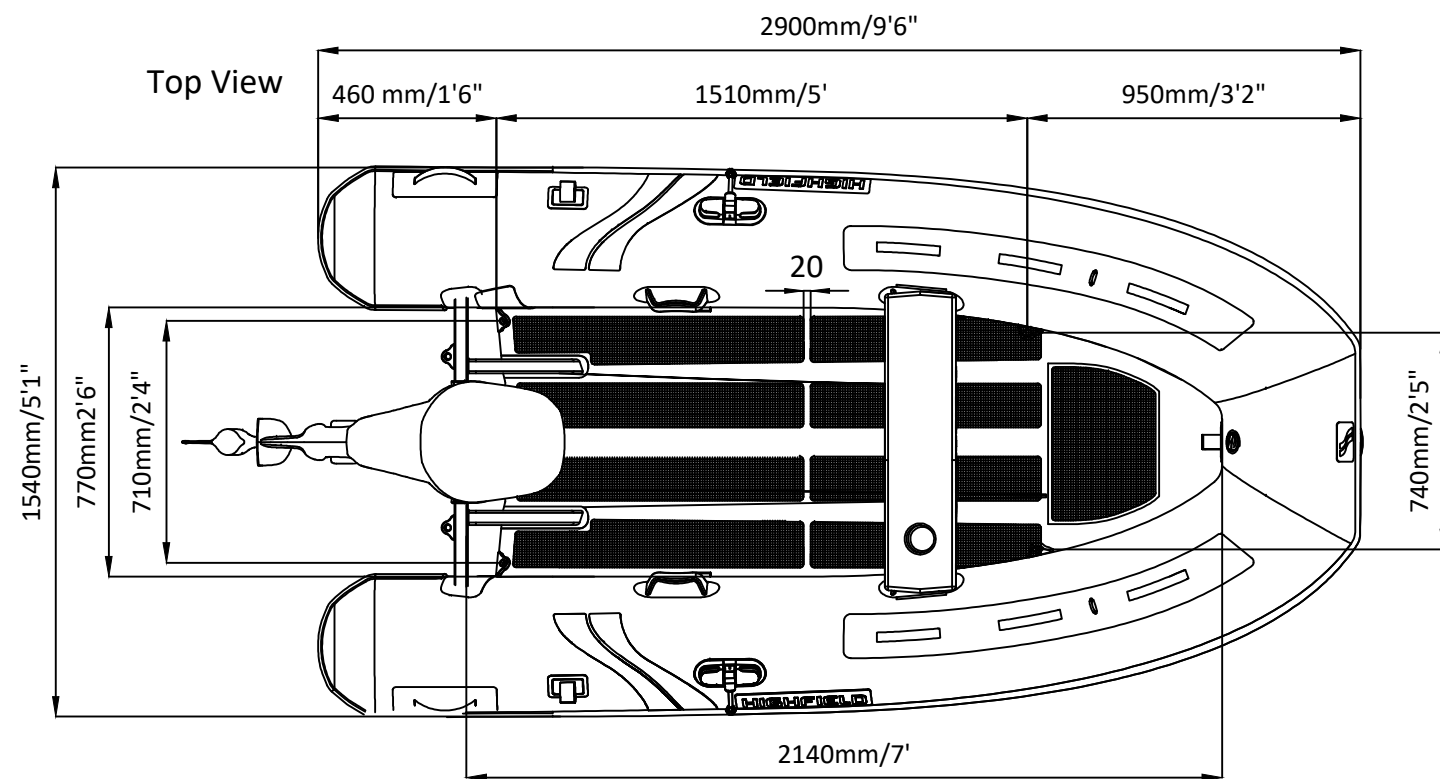
SPECIFICATIONS



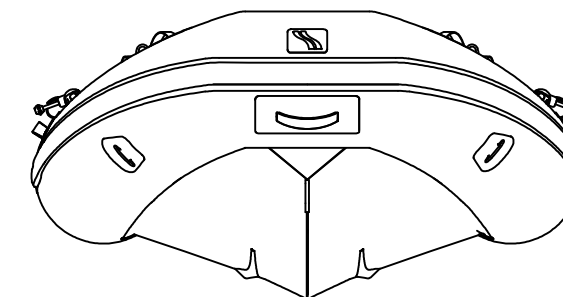
Side View



Rear View

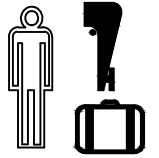


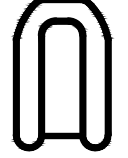




Top View



Front View

SPECIFICATIONS AND MAXIMUM CAPACITIES (Subject to change without notice. Tolerances: Dimensions ±2.5% Weight ±5%)

MODEL	ISO 6185 PART	ISO 6185					 Outboard Engine		 Molded seat		Oar		Fuel tank Capacity	Rollbar		Wet Weight (Approximate)  10HP (7.46KW) +Fuel		AIR CHAMBERS								
			KG	LB	#	KG	LB	Shaft	Max power		Max weight		KG	LB	KG	LB	L		KG	LB	KG	LB	PSI	BAR		
									KW	HP	KG	LB														
UL290	2	C	375	827	4	300	661	S	7.46	10	60	132	39	86	3	6.6	2	4.4	/	/	/	119	262	3	3.63	0.25

Weight: Boat only, not including molded seat, oars and other accessories.